

Fact sheet

# Termix VMTD-F-B

Direct substation for flats, decentralized systems, single and multi-family houses with up to 7 flats



## Application

The Termix VMTD-F-B is a complete solution with built-in water heater and a differential pressure controlled heating system. Termix VMTD-F-B is applicable for single and multi-family houses and for decentralized systems.

## District heating (DH)

The substation is prefabricated with a differential pressure controller, a fitting piece and sensor pockets for insertion of a heat meter as well as strainer and ball valves.

## Heating (HE)

The heating circuit is designed for direct generation of heat. The differential pressure control sets the optimum operation conditions for radiator thermostatic valves in order to enable individual temperature control in each room. In order to enable a time-dependent temperature control program, a zone valve with actuator and a room thermostat can be included as an option.

## Domestic hot water (DHW)

The domestic hot water is prepared in the heat exchanger and the temperature is regulated with a thermostatic control valve. The patented sensor accelerator accelerates the closing of the Danfoss AVTB valve and protects the heat exchanger against overheating and lime scale formation. The heat exchanger cools the DH water very efficiently, thereby creating a very good operating economy. The sensor accelerator and AVTB valve also works as a bypass keeping the house supply line warm. This shortens the waiting periods during summer when the heating system is in reduced operation. The sensor accelerator helps to ensure a stable hot water temperature regardless of varying loads, flow temperatures and differential pressure without the need for readjusting the valve.

## Options

The Termix VMTD-F-B can be supplied with built-in non-return valve and safety valve mounted in the cold

water supply. It can also be supplied with a thermostatic circulation valve.

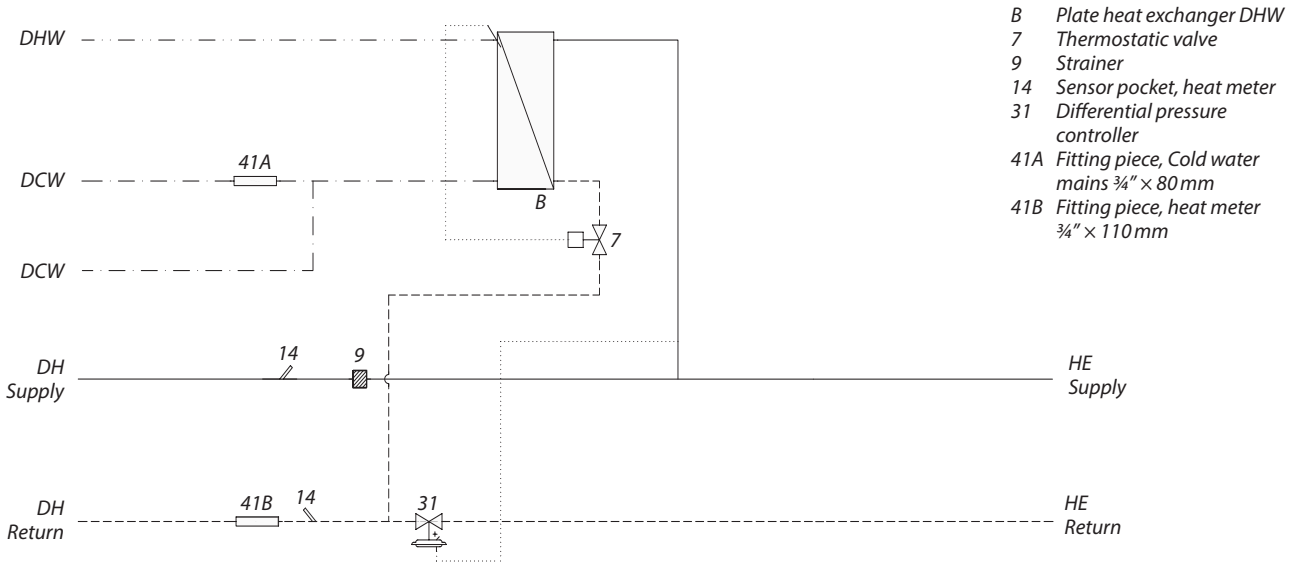
## Construction

All pipes are made of stainless steel. The connections are made by nuts and gaskets. The Termix VMTD-F-B can be delivered with white-lacquered steel cover in modern design.

## FEATURES AND BENEFITS

- Substation for DH and decentralized systems
- Direct heating and DHW temperature regulation with a thermostatic control valve
- Capacity: 33 – 85 kW for DHW
- DHW in sufficient quantity
- Operates independently of differential pressure and flow temperature
- Minimum space required for installation
- Pipes and plate heat exchanger made of stainless steel
- Minimized risk of lime scale and bacteria formation

CIRCUIT DIAGRAM - EXAMPLES



**Technical parameters:**

Nominal pressure: PN 10  
 DH supply temperature:  $T_{max} = 120\text{ }^{\circ}\text{C}$   
 DCW static pressure:  $P_{min} = 0.5\text{ bar}$   
 Brazing material (HEX): Copper

**Weight incl. cover:** 20 kg (incl. packing)

**Cover:** White-lacquered steel sheet

**Dimensions (mm):**

Without cover: H640 x W530 x D110 (150 mm)  
 With cover (mount on wall variant): H800 x W540 x D190 mm  
 With cover (built-in wall variant): H915-980 x W610 x D110 mm  
 H915-980 x W610 x D150 mm

**Connections:**

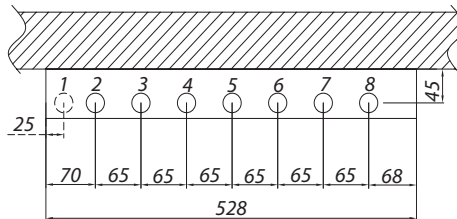
1. District heating (DH) supply
2. District heating (DH) return
3. Domestic cold water (DCW)
4. Domestic cold water (DCW)
5. Domestic hot water (DHW)
6. Heating (HE) supply
7. Heating (HE) return

**Connections sizes:**

DH + HE: G 3/4" (int. thread)  
 DCW + DHW: G 3/4" (int. thread)

**Options:**

- Mounting rail with ball valves
- White-lacquered steel cover (built-in)
- White-lacquered steel cover (on the wall)
- Safety valve and non-return valve (10 bar)
- Safety valve with thermostatic circulation set
- Thermostatic circulation set
- Pressure equalizer (GTU)
- Room thermostat
- Zone valve with actuator
- Air screw (DH supply)
- Return temperature limiter
- Connection for hot water circulation
- Hot water circulation pump
- Thermometer
- Ball valves



CAPACITY, WEIGHT AND DIMENSIONS

Substation type	DHW capacity [kW]	Supply flow primary [°C]	Return flow primary [°C]	DCW/DHW [°C]	Pressure loss primary [kPa]	Flow rate secondary [l/h]
VMTD-F-1	33	60	20	10/45	25	810
	40	70	20	10/50	25	858
VMTD-F-2	50	60	20	10/45	40	1228
	58	70	20	10/50	40	1247
VMTD-F-3	65	60	20	10/45	40	1597
	75	70	20	10/50	40	1612
VMTD-F-4	68	60	20	10/45	30	1653
	85	70	20	10/50	30	1824

**Gemina Termix A/S** · Member of the Danfoss Group · Navervej 15-17 · DK-7451 Sunds · Denmark  
 Tel.: +45 9714 1444 · Fax: +45 9714 1159 · mail@termix.dk · www.heating.danfoss.com

Danfoss can accept no responsibility for possible errors in catalogues, brochures and other printed material. Danfoss reserves the right to alter its products without notice. This also applies to products already on order provided that such alterations can be made without consequential changes being necessary in specifications already agreed. All trademarks in this material are property of the respective companies. Danfoss and the Danfoss logotype are trademarks of Danfoss A/S. All rights reserved.