

Fact sheet

Termix Compact 28 VMTD-FI

Ultimate solution for space heating and domestic hot water.



Space heating and domestic hot water (DHW)

The Termix Compact 28 VMTD-FI is a complete unit for space heating and domestic hot water for direct district heating in large buildings such as sports centres, schools, blocks of flats etc.

Efficient heat exchanger

The substation is fitted with an efficient plate heat exchanger, which ensures the most favourable heat extraction and achieves optimum comfort and operating economy.

Electronic regulation

The Termix Compact 28 VMTD-FI is built with a plate heat exchanger for domestic hot water and direct system regulation for space heating. The electronic control is pre-set from the factory. Electrical components are connected, and the unit is equipped with a plug for 230 V a.c. As standard, each circuit is also supplied with its own flow controller. This allows the greatest degree of individual control, thus preventing oscillation at different loads. It is recommended that dynam-

ic balancing valves be installed in the building's risers in the heat supply and on the heating system's return line immediately before the unit.

Easy installation

The unit consists of two modules, one for space heating and one for domestic hot water production, which is easily assembled into one single module. This modular design makes work during installation significantly easier, as the weight is split between two modules during handling.

Flexible solution

Pipe connection can be made from either the top or bottom, which makes this solution highly flexible. At the same time, both space and time are saved when installing.

1 AVQM = self-acting flow controller with integrated with integrated control valve

Minimal heat loss

Complete insulation of the unit ensures minimal heat loss.

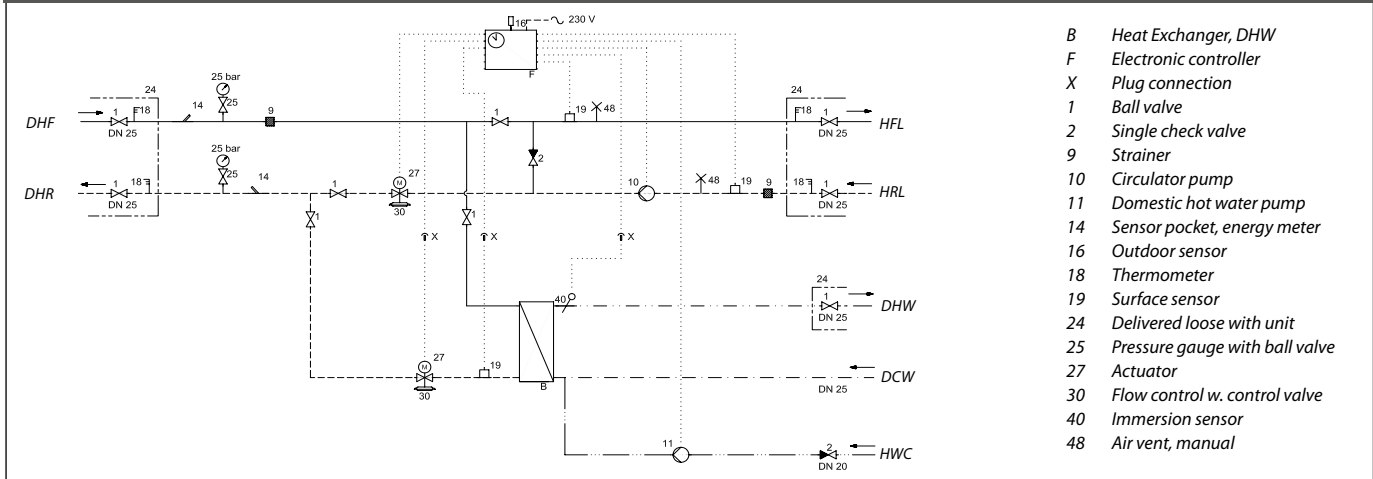
Reliable and easy to install

Termix Compact 28 VMTD-FI is a operationally reliable. A quality product manufactured in Denmark, which is easy to install and quickly commissioned.

FEATURES AND BENEFITS

- Fully insulated
- Flexible connections
- Substations for apartment buildings
- Direct heating with mixing loop
- Electronic control for heating and DHW
- Operates independently of differential pressure and flow temperature
- Pipes and plate heat exchanger made of stainless steel

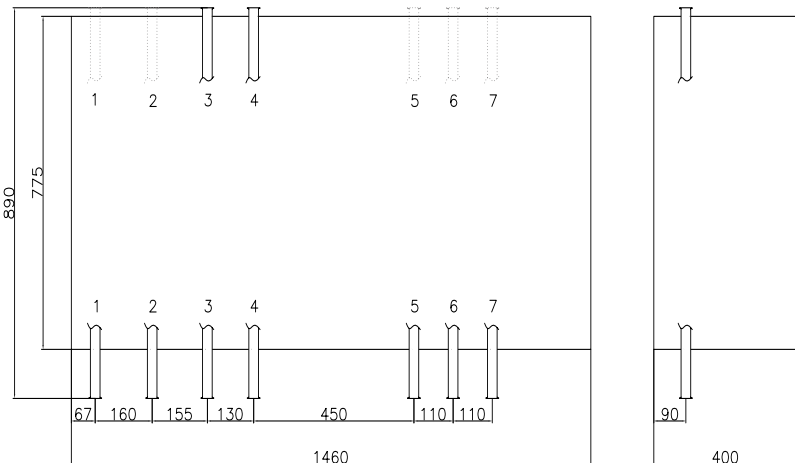
CIRCUIT DIAGRAM - EXAMPLE



Technical parameters:

Exchanger: Stainless steel AISI 316
 Test pressure exchanger: 25 bar
 Working pressure: 16 bar
 Valve type: Danfoss
 Operating temperature: Max. 110°C
 Soldering material: Copper
 Weight: 80 kg

Dimensions (mm):



Connections:

1. Primary flow line 1" RG int.
2. Primary return line 1" RG int.
3. Heating flow line 1" RG int.
4. Heating return line 1" RG int.
5. Domestic hot water 3/4" RG int.
6. Domestic cold water 3/4" RG int.
7. DHW circulation 3/4" RG int.

Options:

Fitting piece for energy meter

DHW: CAPACITY EXAMPLES

Substation type: Termix Compact 28 VMTD-FI	DHW Capacity [kW]	Supply flow primary [°C]	Return flow primary [°C]	Pressure loss primary [*kPa]	DHW tempera- ture [°C]
VMTD 1-x	85	65	23,02	50	10/50
	90	70	24,83	50	10/55
	100	70	28,61	50	5/60
VMTD 2-x	100	65	21,93	50	10/50
	110	70	23,92	50	10/55
	120	70	27,16	50	5/60
VMTD 3-x	125	65	22,35	50	10/50
	130	70	22,35	50	10/55
	130	70	26,27	50	5/60
VMTD 4-x	140	65	20,91	50	10/50
	150	70	22,57	50	10/55
	145	70	24,2	50	5/60

HEATING: CAPACITY EXAMPLES

Substation type: Termix Compact 28 VMTD-FI	Heating Capacity [kW]	Heating circuit secondary [°C]	Flow rate secondary [l/h]
VMTD x-1	75	35/60	2150
VMTD x-2	95	35/60	2723
VMTD x-3	105	35/60	3010
VMTD x-4	115	35/60	3297

*Heat meter not included.

Gemina Termix A/S · Member of the Danfoss Group · Navervej 15-17 · DK-7451 Sunds · Denmark

Tel.: +45 9714 1444 · Fax: +45 9714 1159 · mail@termix.dk · www.heating.danfoss.com

Danfoss can accept no responsibility for possible errors in catalogues, brochures and other printed material. Danfoss reserves the right to alter its products without notice. This also applies to products already on order provided that such alterations can be made without subsequential changes being necessary in specifications already agreed. All trademarks in this material are property of the respective companies. Danfoss and the Danfoss logotype are trademarks of Danfoss A/S. All rights reserved.